

# Soap Dispensers, Surface Mounted



## Liquid Soap Dispenser

### Code 700: Gravity Fed Liquid Soap Dispenser

#### Specifications:

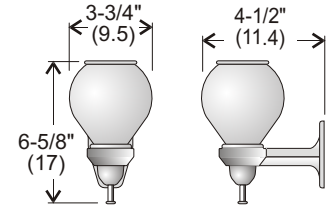
**Features:** Chrome plated gravity fed push up type liquid soap valve. Globe screws into wall bracket and valve.

**Soap Types:** Recommended for use with coconut oil base, easy flowing liquid soaps.

**Capacity:** Translucent white polyethylene globe has a capacity of 450g (16 oz.).

**Shipping Weight:** .45 kg (1 lb.)

**Installation:** Secure unit to wall through holes in the back of unit with the three mounting screws provided.



## Liquid Soap Dispenser

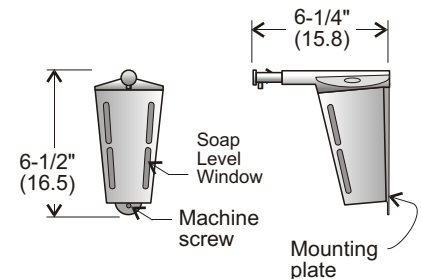
### Code 705-100: Liquid Soap Dispenser

**Features:** All chrome plated body and mounting bracket. Chained keyed filter cap. Soap level indicator slots. All mounting screws concealed.

**Soap Types:** 705-100 is for use with coconut oil base soap at 10-20% solution.

**Capacity:** 12 oz. (340 g)

**Installation:** Secure mounting plate to wall through holes with four mounting screws provided. Slip dispenser over mounting plate and secure with single machine screw at bottom.



## Lotion Soap Dispenser

### Code 707: Lotion soap dispenser

### Code 707-2L: Large capacity Lotion soap dispenser

**Site Location:** All purpose push type dispenser is suitable for any location, with popular adhesive pad mounting for mirrored surfaces.

**Features:** Quality ABS finish. Removable inner soap reservoir for easy cleaning and maintenance. Lockable front cover. Attractive blue and white colour scheme. Completely concealed wall mounting (no visible mounting screws).

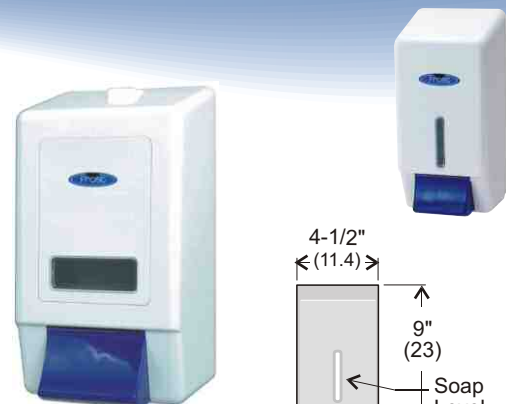
**Soap Types:** All purpose dispensing valve is suitable for easy flowing liquid or lotion soaps.

#### Capacity:

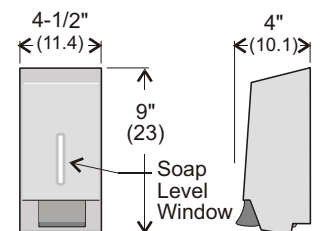
**Code 707:** 35 oz. capacity, (1 litre).

**Code 707-2L:** 70 oz. capacity, (2 litre).

**Installation:** Secure unit to wall, screws, plugs and template provided. Alternately use adhesive pads on smooth dry surfaces.



Code 707-2L



Code 707

## Tank Type Soap Dispenser

**Code 708A:** All purpose valve, vertical mounting  
**Code 710A:** All purpose valve, horizontal mounting

### Specifications:

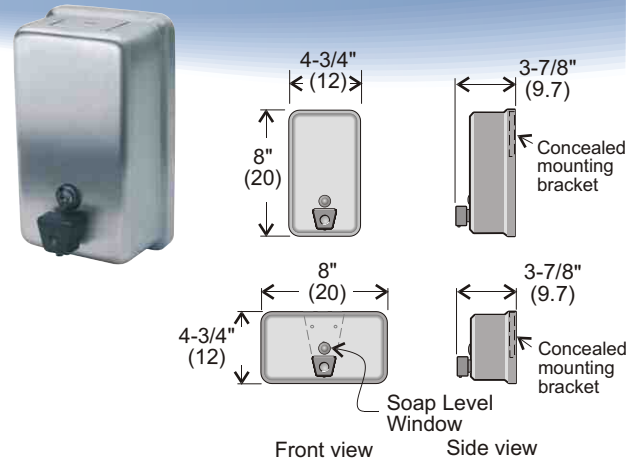
The surface mounted unit is intended for any type of wall material or construction.

**Features:** Drawn and welded construction of 20 ga. stainless steel. Easy refill at top. Keyed lock filler cap. Lucite soap level indicator window. All mounting screws concealed.

**Soap Types:** The code 708A & 710A dispense liquid soap at 10-20% solution as well as more viscous synthetic detergents, lotions and antiseptic soaps. We do not recommend any soap types that have an ammonium based surfactant, ie. Ammonium Lauryl Sulfate.

**Capacity:** 40 oz. capacity, (1.1 litre).

**Installation:** Secure mounting plate to wall through holes with three mounting screws provided. Slip dispenser over mounting plate and secure with single screw through filler cap at top.



## Profile Soap Dispenser

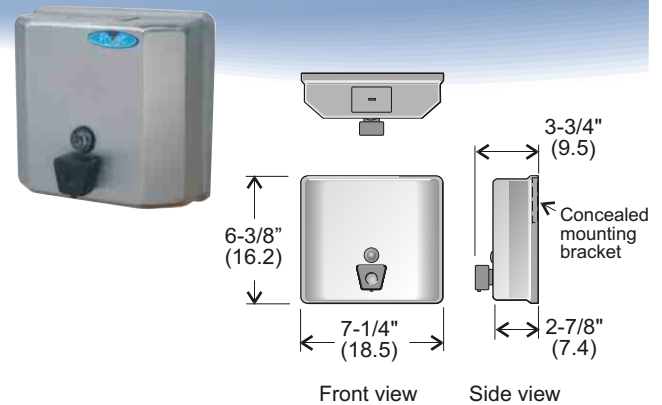
**Code 711:** All purpose valve, vertical mounting

**Features:** Drawn and welded construction of 20 ga. stainless steel. Easy refill at top. Keyed lock filler cap. Lucite soap level indicator window. All mounting screws concealed.

**Soap Types:** Dispenses liquid soap at 10-20% solution as well as more viscous synthetic detergents, lotions and antiseptic soaps. We do not recommend any soap types that have an ammonium based surfactant, ie. Ammonium Lauryl Sulfate.

**Capacity:** 55 oz. capacity, (1.5 litre).

**Installation:** Secure mounting plate to wall through holes with three mounting screws provided. Slip dispenser over mounting plate and secure with single screw through filler cap at top.



## Touch Free Soap Dispenser

**Code 714P:** Lotion soap dispenser, plastic  
**Code 714S:** Lotion soap dispenser, stainless  
**Code 717:** Bulk foam dispenser

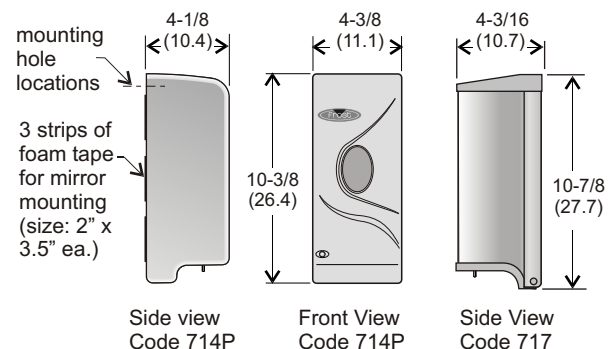
**Site Location:** Ideal for high traffic areas and multiple mirror mounting.

**Dispensing:** Soap is dispensed when hand is placed within 2-1/4" (6cm) under the unit. Soap container capacity: 1 litre. (33 ounces)

**Power Source:** Unit is powered by 3 "C" alkaline batteries (not included). Battery life is 10,000 cycles. or one year. Low battery indicator (flashes red). Soap viscosity range: 2,000 - 5,000 cps, (covers most liquid soap products).

**Shipping Weight:** 2 lbs., (bulk packed 12 units per case)

**Installation:** For unrestricted access, bottom of unit to floor should not exceed 44" (111.7). Insure unit is mounted 20 cm Above any horizontal surface (30 cm for stainless steel).



# Soap Dispensers, Built In



## Vanity Mounted Soap Dispensers

**Code 712: All purpose soap valve**

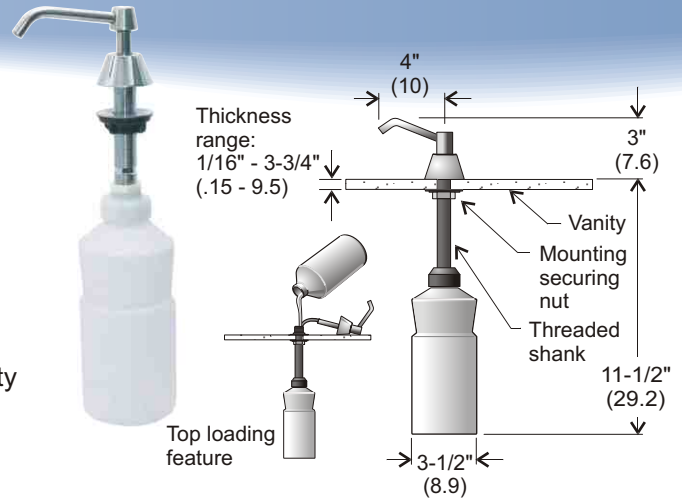
**Specifications:** Ideal for all types of vanity and counter tops.

**Features:** Less than 5 lbs. of force required to activate pump. Chrome plated brass housing. Concealed mounting assembly. Top loading.

**Soap Types:** 712A dispenses liquid soap at 10-20% solution as well as more viscous synthetic detergents, lotions and antiseptic soaps.

**Capacity:** 32 oz. capacity, (1 litre).

**Installation:** Insert threaded shank through 7/8" dia. hole in vanity with only housing and valve assembly exposed above counter. Secure with brackets provide below. Attach globe.



## Touch Free Counter Top Soap Dispenser

**Code 715: Counter Top Mounted, Auto Soap Dispenser, chrome finish.**

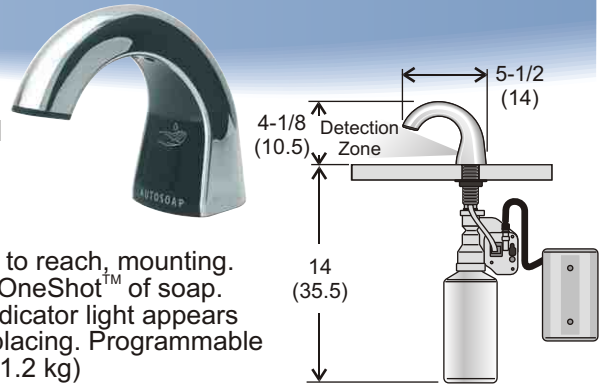
**Code 715SK: Auto Soap Starter Kit.** Includes dispenser, 800ml soap container, 4 "D" cell alkaline batteries.

**Code 715-500 Soap refills, (4 x 800 ml)**

**Site Location:** ADA compliant no touch dispenser allows for vanity, easy to reach, mounting.

**Features:** SmartSensor™ detects user's hand to automatically dispense OneShot™ of soap. Controlled dosage provides 1000 hand washes per 800ml bottle. Refill indicator light appears when soap is low. Battery indicator light appears when batteries need replacing. Programmable for 800ml and 1600ml soap refilling settings. **Shipping Weight:** 2.5 lbs, (1.2 kg)

**Installation:** Comes with detailed installation instructions.



## Foam Soap Dispenser, Touch Free, Bulk Fill

**Code 718: Bulk Fill Auto Soap Dispenser, counter top mount, touch free.**

**Site Location:** ADA compliant no touch dispenser allows for vanity, easy reach, mounting.

**Features:** Foam soaps reduce consumption and improve washing effectiveness. Main housing is cast brass with polished chrome finish. Bulk loading refill capacity: 1.5 liters (non cartridge refill). Takes all foam suitable soaps. Activated sensor range: 3-4". Power Supply: ac adaptor with 60" (1.5 meter) cord.

**Installation:** Comes with detailed installation instructions.



## Recessed Soap Dispensers

**Code 719: All purpose soap valve**

**Specifications:**

Door manufactured from 22 ga. stainless steel # 4 finish. Full length SS piano hinge and keyed tumbler lock on door. Recessed corrosion resistant galvanized steel body. Soap tank formed from a tough leak proof thermo-formed plastic. Leak proof soap level indicator window.

**Soap Types:** 719 dispenses liquid soap at 10-20% solution as well as more viscous synthetic detergents, lotions and antiseptic soaps.

**Capacity:** 35 oz. capacity, (1.1 litre).

**Installation:** Rough opening: 8-1/2 (21.6) wide x 4-1/2 (11.4) high x 4" (10.2) deep. Drill mounting holes as required.

