

Dispensers For Paper Products



Jumbo Roll Towel Dispensers

Code 101J: White epoxy powder finish

Specifications:

The 101J offers maximum towel capacity in a compact unit.

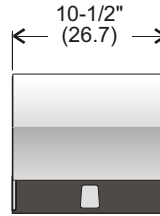
Features:

Universal towel dispenser will accept all standard roll towels (max. 7-1/8" diameter and up to 8" wide). This includes almost all 425 ft. jumbo rolls and the Scott 500 ft. rolls. Comes with keyed tumbler lock to reduce pilferage and vandalism. Front loading for easy service and maintenance. Jumbo roll is supported on a non removable full width roller. All welded construction of 20 and 22 gauge steel. Full length piano hinge on door. Protective edge on saw tooth cutting area.

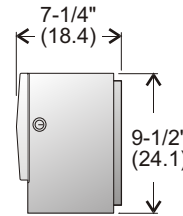
Shipping Weight:

5-1/2 lbs. (2.5 kg)

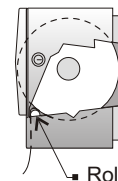
Installation: For unrestricted access, bottom of unit to floor must not exceed 44" (111.7).



Code 101J



Code 101J
Side View



Roller bar

Partial cutaway view showing towel roller bar

Multifold Towel Dispensers

Code 105: White epoxy powder finish

Code 107: Stainless steel type 304 no. 4 brushed

Specifications:

The compact size and variety of finishes makes the 105 and 107 ideal for use in any room or site location.

The unit opening will dispense multifold and "C" fold towels. Towel opening has rolled safety edge (black finish on all units). All units come with keyed tumbler lock to reduce pilferage and vandalism. Front loading for easy service and maintenance. One piece coverall door.

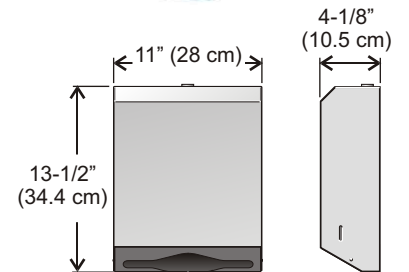
Code 107: Stainless steel (304, No. 4 brushed) construction. Product shipped with protective plastic coating to be removed after installation.

Shipping Weight: 2 kg. (4-1/2 lbs.)

Installation: For unrestricted access, bottom of unit to floor must not exceed 48" (120).



Code 107



48" (Max.) (120)

Multi fold and C-fold opening. Rolled safety edge on opening.

Floor

Front view

Side View

Control Roll and Hands Free Towel Dispensers

Frost Products has incorporated both a control roll and hands free mechanism in a variety of standard products. Throughout the catalog you will find examples of the Control Flow and Auto Roll series of dispensers. The symbols at the left indicate products that can be equipped with the controlled delivery or hands free delivery of paper towels.



Dispensers For Paper Products



Control Roll Towel Dispensers

- Code 109-50W:** White epoxy powder finish
- Code 109-50S:** Stainless steel, 304 no. 4 finish
- Code 109-50P:** Transparent plastic front



Code 109-50

Site location: Ideal for high traffic areas.

The 109-50 is designed to dispense Jumbo 8" diameter (4" reserve roll) x 8" wide roll towels.

Dispensing: Controlled delivery is easy with push action lever. Comes with keyed tumbler lock to reduce pilferage and vandalism. Front loading for easy service and maintenance.

Materials: **Code 109-50W:** All welded construction of 22 gauge crs powder coated white finish. **Code 109-50S:** All welded construction of 22 gauge no. 4 brushed finish stainless steel.

Shipping Weight: **Code 109-50W&S:** 12 lbs. (5.3 kg), **Code 109-50P:** 7 lbs. (3 kg)

Installation: For unrestricted access, bottom of unit to floor should not exceed 44" (111.7). Mounting screws provided.

Auto Cut, Roll Towel Dispensers

- Code 109-60W:** White epoxy powder finish
- Code 109-60S:** Stainless steel, no. 4 finish
- Code 109-60P:** Smoked polycarbonate cover



Code 109-60S

Site location: Ideal for high traffic areas.

Dispensing: When pulling on the exposed length of towel the touch free dispenser will automatically cut an 11" (27cm) length, leaving a 3" length of towel to grab onto for the next dispensing action. Hands free dispenser reduces paper flow, and provides maximum hygiene. Designed to dispense jumbo roll towels max. 8" diameter. Comes with keyed tumbler lock to reduce pilferage and vandalism. Front loading for easy service and maintenance.

Materials: **Code 109-60:** All welded construction. **Code 109-60S:** Stainless steel, no. 4 finish. **Code 109-60P:** Smoked polycarbonate cover.

Shipping Weight: 13.5 lbs. (6 kg). Code 109-60P: 10 lbs (4.5 kg)

Hands Free Towel Dispensers

- Code 109-70S:** Stainless steel, 304 no. 4 finish
- Code 109-70P:** Transparent plastic front
- Code 109-70W:** White epoxy powder finish



Code 109-70S

Specifications: All exterior dimensions and material specifications same as 109-50.

Features unique to Auto Roll Series: Large detection zone senses hand when placed in a natural position under dispenser to deliver a 12" length of towel. Towel delivery is quiet and uniform. Hands free dispenser reduces paper flow, and provides maximum hygiene. Operates with 4 "D" size alkaline batteries (ac adaptor also included). 4 alkaline batteries have been independently tested and found to provide 35,000 hand dries, (Results will vary depending on paper quality and temperature). Designed to dispense jumbo roll towels max. 8" diameter (1-1/2 - 2" cores).



Dispensers For Paper Products



Standard Roll Dispensers

Code 126: Polished chrome finish

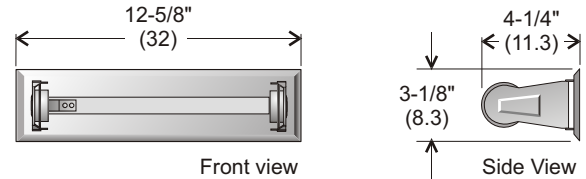
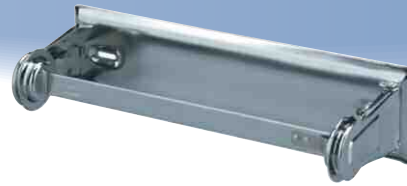
Specifications:

All welded construction of 18 ga. steel. Pivot arm hinges on hardened steel rivets. Tension springs restrict paper consumption. Concealed locking device prevents pilferage and vandalism. Designed for standard 11" rolls.

Shipping Weight: 2 lbs. (.9 kg)

Installation:

For unrestricted access, bottom of unit to floor should not exceed 44" (111.7). Mounting screws provided.



Recessed Towel Dispensers

- Code 135A:** Fully recessed
- Code 135B:** Semi recessed
- Code 135C:** Surface mounted
- Code 135-14A:** Fully recessed, 4" deep, multifold only
- Code 135-14C:** Surface mounted, 4" deep, multifold only

Specifications:

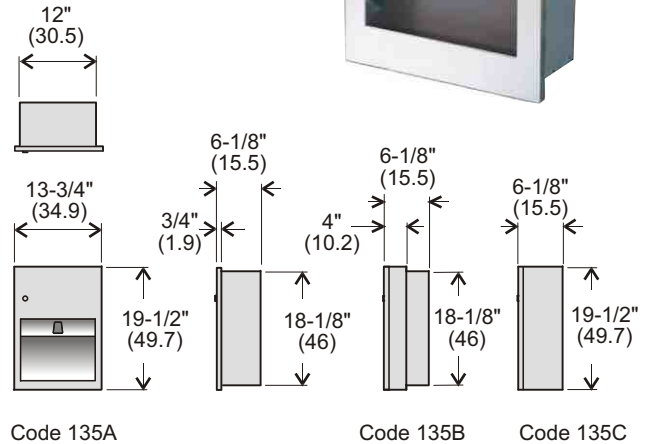
Compact fixture is well suited for multiple mountings in large high traffic areas and an ideal companion to stand alone or wall mounted waste receptacles.

Features:

Universal towel dispenser will accept all standard roll and single fold towels. Stainless steel (304, # 4 brushed) towel cradle. Heavy duty 18 gauge stainless steel door (304, # 4 brushed finish). Secured with a tumbler keyed lock. All doors are hinged with full length ss piano hinges. Recessed body of 22 ga. corrosion resistant galvanized steel.

Shipping Weight: Code 135A: 18 lbs (8.5 kg), Code 135B: 19 lbs. (9 kg), Code 135C: 21 lbs. (10 kg)

Installation: **Code 135A:** Provide 18-1/4" (46.5) high x 12-1/2" (31.8) wide x 6" (15.2) deep wall opening. **Code 135B:** Provide 18-1/4" (46.5) high x 12-1/2" (31.8) wide x 3" (7.6) deep wall opening. Collar is secured between recessed body flange and wall. Drill mounting holes as required. For unrestricted access, height of top of unit to floor must not exceed 57" (144.7).

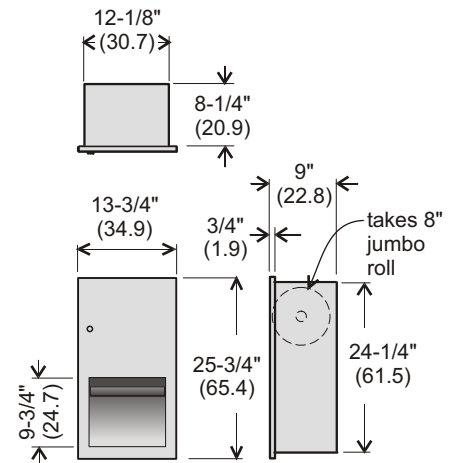


Control Roll Towel Dispensers

- Code 135-50A:** Fully recessed
- Code 135-50B:** Semi recessed
- Code 135-50C:** Surface mounted

Specifications:

Universal towel dispenser will accept all standard 8" wide roll towels. Controlled delivery with easy push action lever helps prevent paper towel waste.



Hands Free Towel Dispenser

- Code 135-70A:** Fully recessed
- Code 135-70B:** Semi recessed
- Code 135-70C:** Surface mounted

Specifications:

Large detection zone senses hand when placed under dispenser to deliver a 12" length of towel. Towel delivery is quiet and uniform. Hands free dispenser reduces paper flow, and provides maximum hygiene. Operates with 4 "D" size alkaline batteries. Four alkaline batteries have been independently tested and found to provide 35,000 hand dries. AC adaptor also included.



Overall dimensions for the 135-50 & -70 units are identical. All materials and specifications are the same as the Code 135 shown above.

Dispensers For Paper Products



Roll Toilet Tissue Dispensers

- Code 146:** Single Roll, polished chrome finish
Code 150: Double Roll, polished chrome finish

Specifications:

Ideal for areas requiring a heavy duty economical dispenser.

Features:

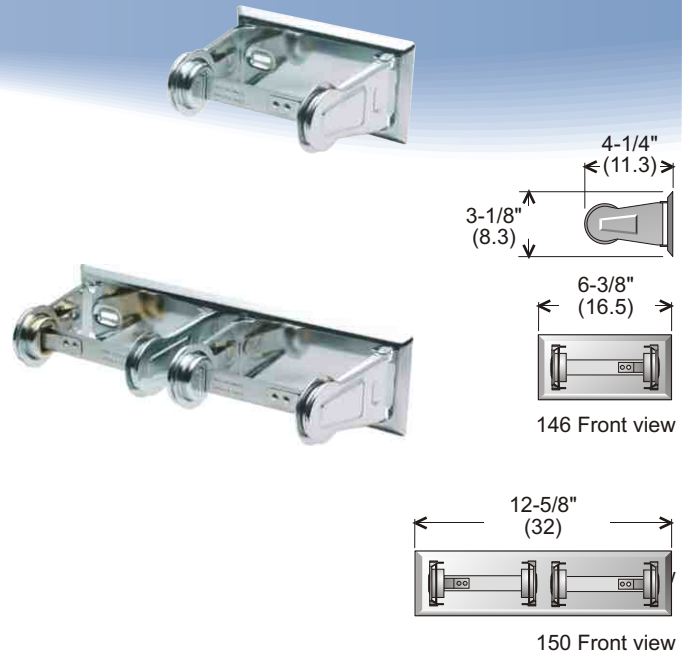
Tension springs restrict paper consumption to prevent free wheeling of roll. Unit has concealed self locking device to prevent product pilferage. All welded construction of 18 ga. steel. Pivot arms hinged on hardened steel rivets. All surfaces finished in polished chrome.

Shipping Weight:

- Code 146: 1 lbs. (.45kg)
 Code 150: 2 lbs. (.9 kg)

Installation:

For unrestricted access, bottom of unit to floor should not exceed 44" (111.7). Mounting screws provided.



Dispensers with Hood

- Code 156S:** Single Roll, stainless no. 4 brushed finish
Code 158S: Double Roll, stainless no. 4 brushed finish

Specifications:

The hooded tissue dispensers offer an attractive means of preventing product pilferage and restricting paper consumption.

Features:

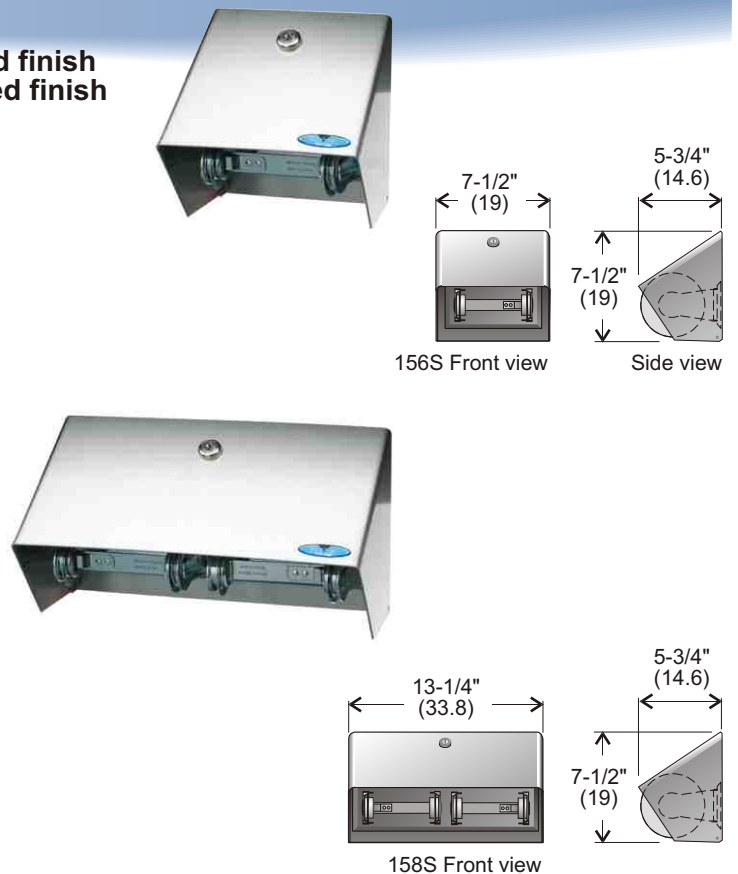
Roll tissue dispensers are standard Frost codes 146 (single) and 150 (double) as shown above. Sloped hood has tumbler keyed lock to prevent pilferage. All welded construction of 22 ga. stainless steel. Pivoting front hinged on hardened steel rivets.

Shipping Weight:

- Code 156S: 2 lb. (.9 kg), Code 158S: 3 lbs., (1.3 kg)

Installation:

For unrestricted access, bottom of dispenser to floor should not exceed 44" (111.7). Mounting screws provided.



Dispensers with Shelf

Code 158-10: Dispenser with shelf, stainless steel no. 4 brushed finish

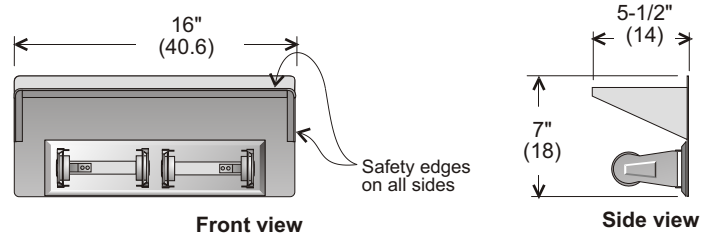
Specifications:

Site Location: Ideal for areas where excess toilet tissue rolls can be stored with the dispenser.

Materials: Shelf and back formed from 22 gauge stainless steel no. 4 brushed finish. Complete with double roll toilet tissue dispenser.

Shipping Weight: Code 158-10: 5 lbs., (2.25 kg), Code 158S: 5-1/2 lbs., (2.5 kg)

Installation: For unrestricted access, bottom of dispenser to floor should not exceed 44" (111.7). Mounting screws provided.



Roll Toilet Tissue Dispenser

Code 159: Vertical double roll white epoxy finish

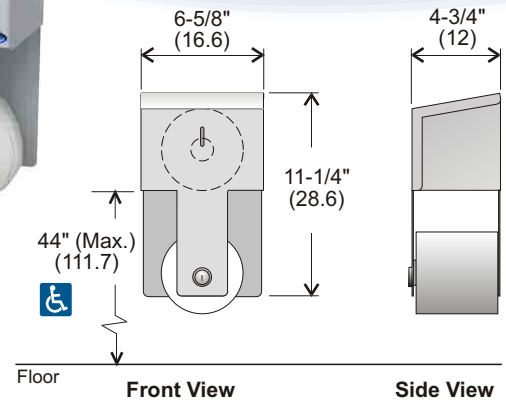
Specifications:

Site Location: Ideal for areas requiring a heavy duty economical dispenser. Semi-concealed top promotes the use of one roll at a time.

Features: Dispenses all standard toilet tissue rolls including 4.2" x 4.5", 500 sheet rolls. Comes with keyed tumbler lock to prevent pilferage and vandalism. Front loading for easy service and maintenance. Tissue rolls are not removable without keyed access. Welded construction of both 18 ga. (front) and 20 ga. (back) cold rolled steel. Body secured to back with full length piano hinge.

Capacity / Shipping Weight: Two roll capacity, 3 lbs., (1.35 kg)

Installation: For unrestricted access, bottom of top roll to floor should not exceed 44" (111.7). Mounting screws provided.



Reserve Roll Toilet Tissue Dispenser

Code 165: Surface mount, 304 ss no. 4 finish
Code 165R: Recessed, 304 ss no. 4 finish
Code 165DP: Two compartment mounting, 304 ss no. 4 finish

Specifications:

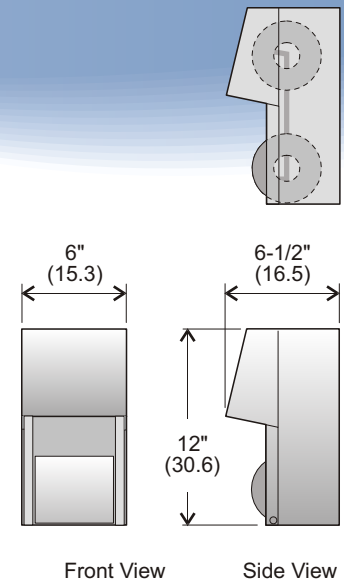
Features: The code 165 successive access dispenser will only dispense its reserve second roll after the first roll is empty. This insures that the custodian is replacing empty rolls only and not having to deal with two half empty rolls during maintenance rounds. Dispenses all standard toilet tissue rolls. Comes with keyed tumbler lock to reduce pilferage and vandalism. Front loading for easy service and maintenance. Rollers are non removable without keyed access. All stainless steel unit, welded construction of both 18 and 20 ga. SS.

Capacity / Shipping Weight: Two roll capacity, 5-1/2 lbs., (2.4 kg)

Installation: For unrestricted access, bottom of unit to floor does not exceed 44" (111.7). Mounting screws provided.



Code 165



Jumbo Toilet Tissue Dispenser

- Code 166:** White epoxy finish, 10" roll maximum with 2-1/4" to 3" spindle diameter
- Code 166S:** Stainless steel finish
- Code 168:** White epoxy finish, 13" roll maximum with 2-1/4" to 3" spindle diameter
- Code 168S:** Stainless steel finish

Specifications:

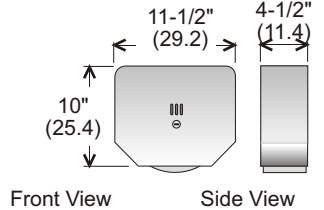
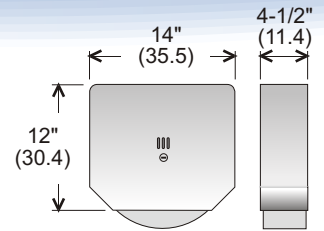
Wall mounted single roll dispenser offers durability in an attractive all metal keyed lock package. Welded all steel construction offers maximum fire protection.

Shipping Weight:

Code 166: 3 lbs. (1.4 kg), Code 168: 4 lbs., (2 kg)

Installation:

For unrestricted access, bottom of unit to floor should not exceed 44" (112). Mounting screws provided.



Front View Side View

Twin Jumbo Toilet Tissue Dispenser

- Code 169:** Twin Jumbo Toilet Tissue Dispenser, stainless steel, 304 number 4 finish
- Code 170:** Twin Jumbo Toilet Tissue Dispenser, White epoxy finish

Specifications:

Ideal for high traffic areas requiring the durability of an all metal exterior.

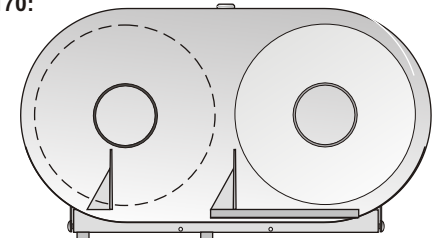
Dispensing: Holds two 9" (230mm) jumbo toilet tissue rolls. Moulded spindles can accommodate 2-1/4" or 3" (57 or 76mm) diameter cores. Spring loaded access tray will lock into position only when first roll on left side is depleted. When door is opened, access tray will return to original position. The custodian can then place the stub roll on the left side (default open position) and a full 9" roll in the blocked right side of the unit.

Materials: Door is drawn 18 ga. ss type 304 with brushed finish. Large viewing slot reveals tissue. Equipped with tumbler lock.

Installation: Recommended mounting height: Insure the top of unit does no exceed 31" (785) from height of floor.

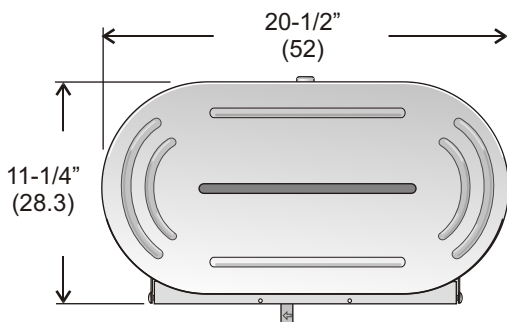


Code 170:

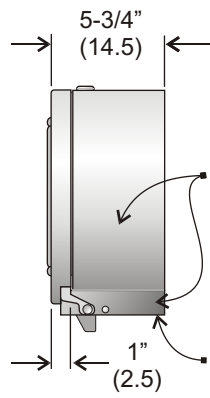


Front View, see through

- Starting position:** Unit is loaded with two full 9" dia. jumbo rolls. The roll at the left is dispensed first.
- When empty the tray blocking access to the roll on the right side will slide over and lock into position. Tray automatically retracts to the starting position when door is opened.



Front View



Side View

SS type 304 number 4 finish

Moulded cutting edges on all sides

Dispensers for Paper Products



Facial Tissue Dispenser

- Code 175:** Recessed, polished chrome finish
Code 180: Surface mount, polished chrome finish



Code 180, 3/4 view



Code 175, 3/4 view

Code 175 Specifications:

Face plate manufactured from 20 ga. steel. Die formed safety edge on diamond shaped opening allows easy removal of facial tissue. Recessed body is die formed from 20 ga. corrosion resistant galvanized steel. Slide catches secure Code 175 face plate to recessed body.

Shipping Weight: 2 lbs. (.9kg)

Code 180 Specifications:

Face plate manufactured from 20 ga. steel. Die formed safety edge on diamond shaped opening allows easy removal of facial tissue. Front pivots open on steel rivets for easy access and loading, (front secured with "P" keyed lock).

Shipping Weight: 2 lbs. (.9kg)

Paper Cup Dispensers

- Code 185:** White epoxy powder finish
Code 187: Stainless steel type 304 no. 4 brushed finish

Specifications: Body and back formed from 22 ga. steel. Body hinged on hardened steel rivets pivoting forward for easy loading and maintenance. Level gauge slot on front of unit. Friction catch to secure unit in closed position. Designed to dispense standard 4 oz. rolled edge regular and cone cups.

Shipping Weight: 2 lbs. (.9 kg)

Installation: Position bottom of fixture 48" (122cm) from floor. Secure to wall using screws and mounting holes provided.

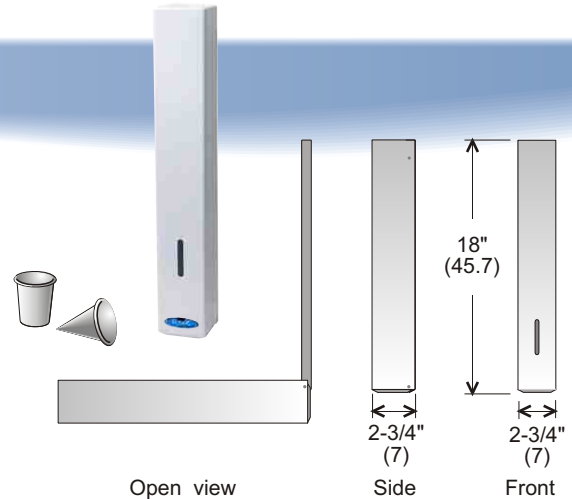


Table Napkin Dispensers

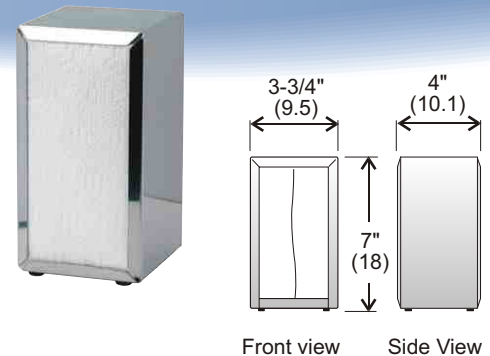
- Code 195C:** Polished chrome finish
Code 195W: White epoxy finish, (special order, min. Qty. 50 units)
Code 195B: Black epoxy finish, (special order, min. Qty. 50 units)
 Other colours and finishes also available.

Specifications: Economical table napkin dispenser comes in three finishes to suit both institutional and commercial applications.

Dispensing: Will accept all standard napkins.

Features: One piece die formed body of 22 gauge steel with slight radius on corners. Spring loaded pressure plates provide consistent dispensing of napkins. Dual sided dispensing. Rubber feet to protect countertops.

Shipping Weight: 1 lb. (.5 kg)



Toilet Seat Cover Dispensers

- Code 199W:** White epoxy finish
Code 199S: Stainless steel
Code 199-2500: Rest Assured® half fold seat covers, green seal. packed 2,500/case (10 sleeves of 250)



Specifications: Economical toilet seat cover dispenser comes in two finishes to suit both institutional and commercial applications.

Dispensing: Will accept all standard half fold toilet seat covers.

Features: One piece formed body of 22 gauge steel.

Shipping Weight: 3 lb. (1.5 kg)

Installation: Position unit such that dispenser opening is a maximum of 48" (122cm) from floor. Secure to wall using screws and mounting holes provided.

